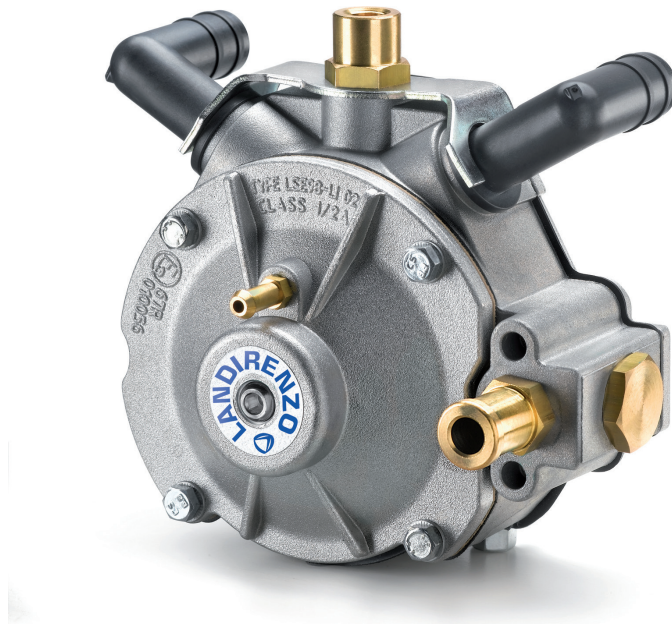


LI02

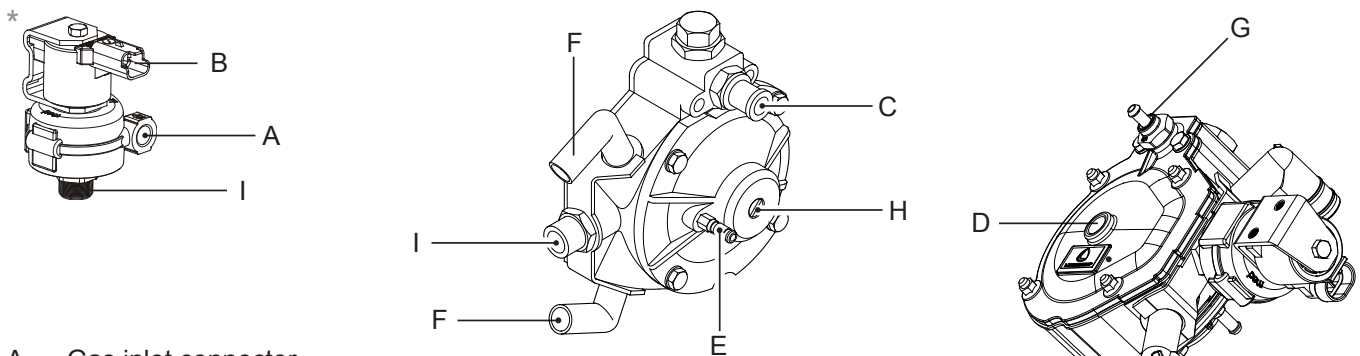


FEATURES

The LI-02 is a single-stage compensated positive pressure reducer with a safety valve which permits integration of a gas solenoid valve with a built-in filter. The reducer has been thoroughly tested and is recommended for installation on aspirated and turbo engines with power up to 110 kW.

VERSIONS

VERSION WITHOUT VALVE (supplied unassembled in kit) *



- A. Gas inlet connector
- B. Gas solenoid valve
- C. Gas outlet connector
- D. Fixing points reducer
- E. Compensation fitting (MAP)
- F. Fittings for heating reducer
- G. Overpressure Connection
- H. Pressure regulation
- I. Gas inlet fitting / connector for solenoid

MAINTENANCE

Control of the pressure regulator pressure at 20.000 km
 Control tightness of the gas line connectors and heating at 20.000 km
 Revision of the pressure regulator (replacement of membranes and gaskets) at 80.000 km
 Gas filter (high pressure) at 80.000 km

HOMOLOGATIONS

E13 67R-010056
 E4 67R-0193001
 E3 10R-036344

TECHNICAL SPECIFICATIONS

Type	single-stage membrane
Dimension	183x166x90 mm
Weight	0,85 kg
Operation nominal flow	23 kg/h
Operating temperature	-20 ÷ 120 °C
Safety valve calibration pressure relative	4 bar
Work pressure relative	0,95 bar
EV electric coil features	12 V - 11 W
Supply voltage	Nominal 12 V (8 ÷ 16 V) (The connector can be of different types according to the pressure regulator model)
Gas inlet connector	Ø 6 mm
Gas outlet connector	Ø 14 mm
Heating liquid fittings	Ø 15 mm
Connectors vacuum / pressure	Ø 5 mm